

QuickPeel Alignment Guide

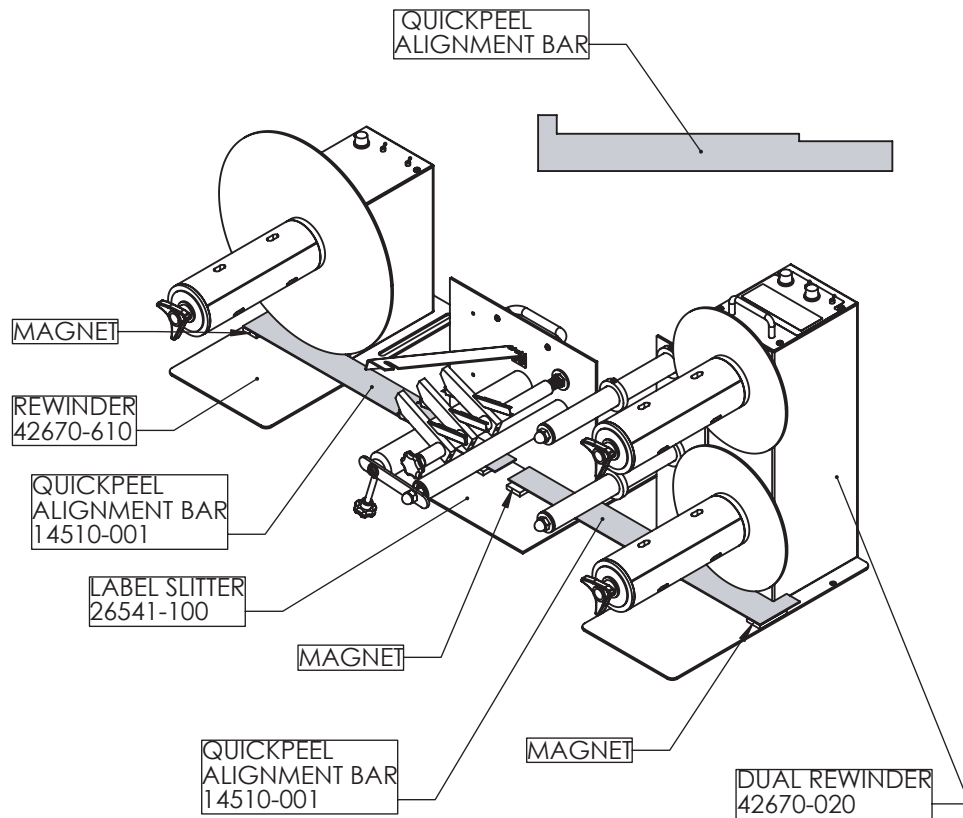
12.28.2006

Part Number 22834543

Overview

This document provides information about aligning the QuickPeel system components.

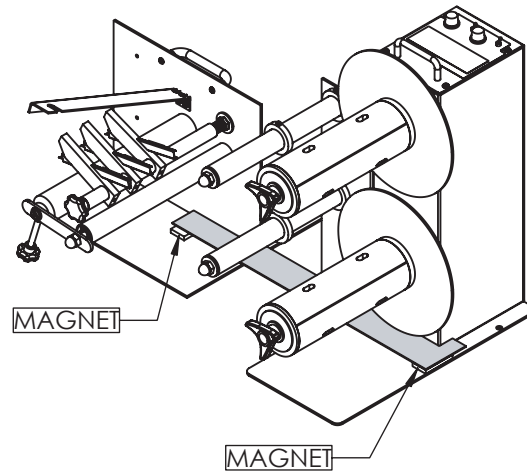
QuickPeel System with Slitter



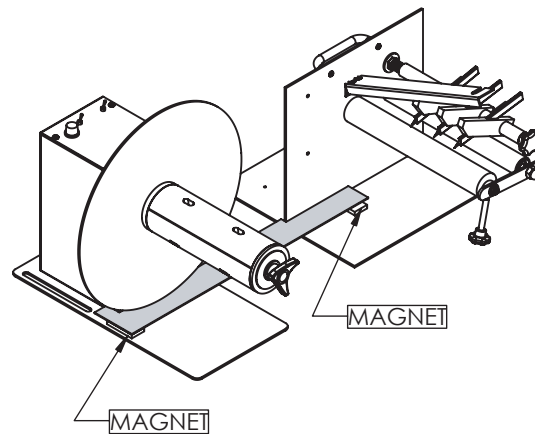
Note: QuickPeel Alignment Bar shown twice in order to demonstrate position. In reality, one QuickPeel Alignment Bar will be used twice.

QuickPeel Alignment Procedure

1. Begin by using the QuickPeel Alignment Bar to align the Dual Rewinder to the Label Slitter.

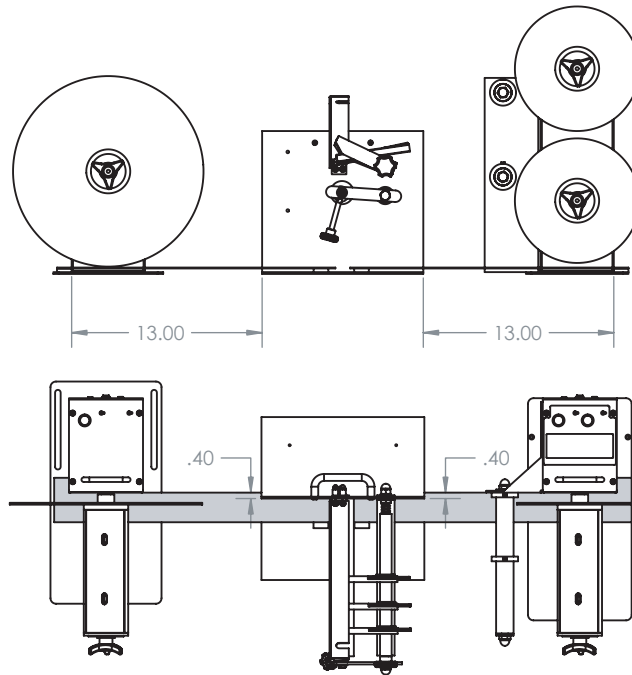


2. Place a magnet at the right edge of the Dual Rewinder base. Place another along the front face of the Label Slitter. The Alignment Bar will then be placed on top of these magnets.
3. The rear tab should be square to the right side face of the Dual Rewinder.
4. The front face of the Alignment Bar should be parallel to the front face of the Rewinder.
5. The right side face of the indentation should be square to the right edge of the Slitter.
6. The front face of the indentation should be parallel to the front face of the Slitter.



7. Flip the Alignment Bar over and align the Label Slitter to the Rewinder.
8. Place a magnet at the left edge of the Rewinder base. Place another along the front face of the Label Slitter. The Alignment Bar will then be placed on top of these magnets.
9. The rear tab of the Alignment Bar should be square to the left side face of the Rewinder.
10. The front face of the Alignment Bar should be parallel to the front face of the Rewinder.
11. The left side face of the indentation should be square to the left edge of the Slitter.

When the Alignment is complete the system should be positioned as shown below.



Note: When the QuickPeel system is used without the Label Slitter, simply use the straight edge of the QuickPeel Alignment Bar to align the Dual Rewinder to the Single Rewinder. Measurements shown below are approximate.

