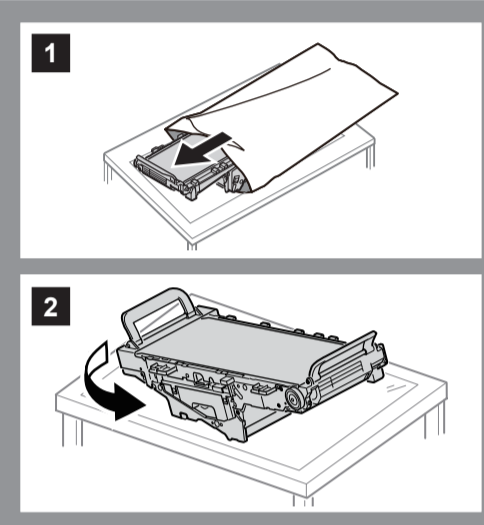
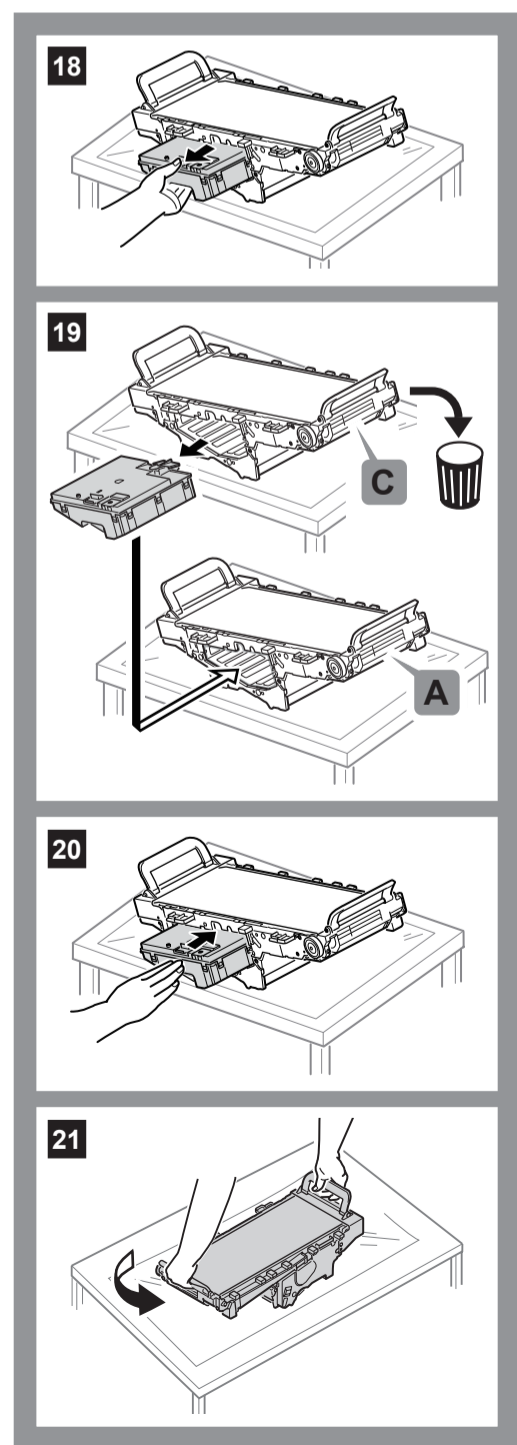
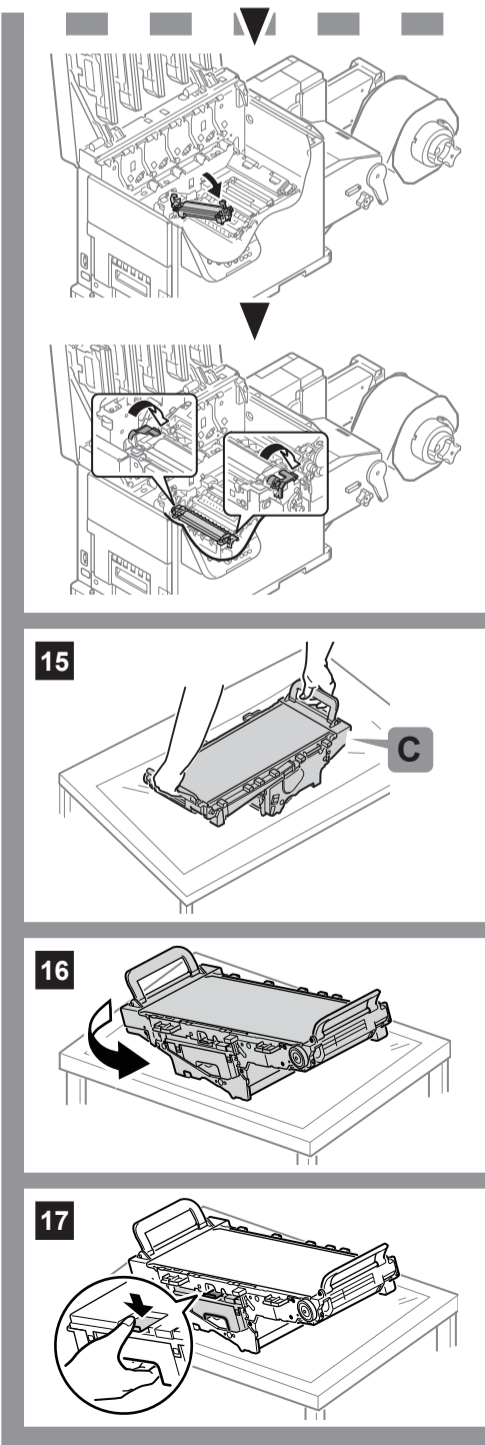
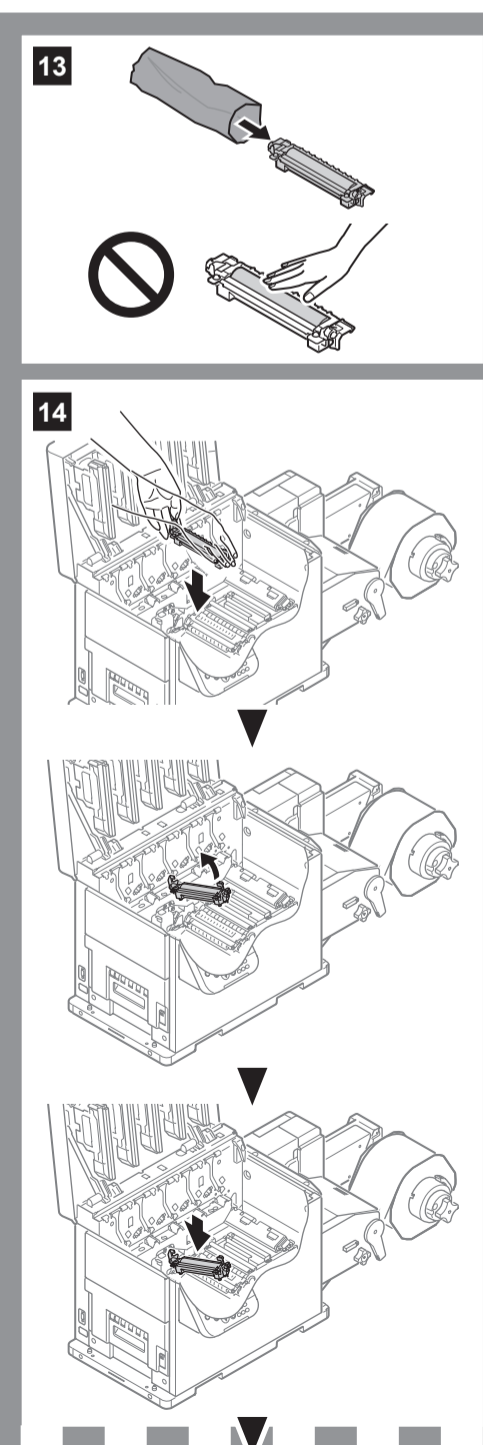
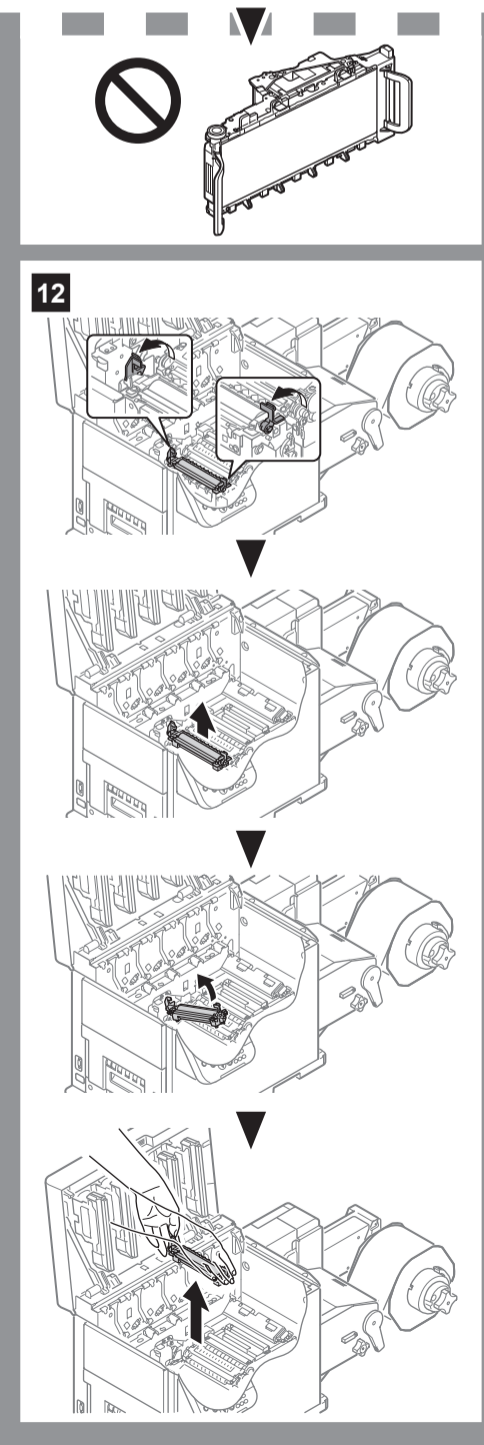
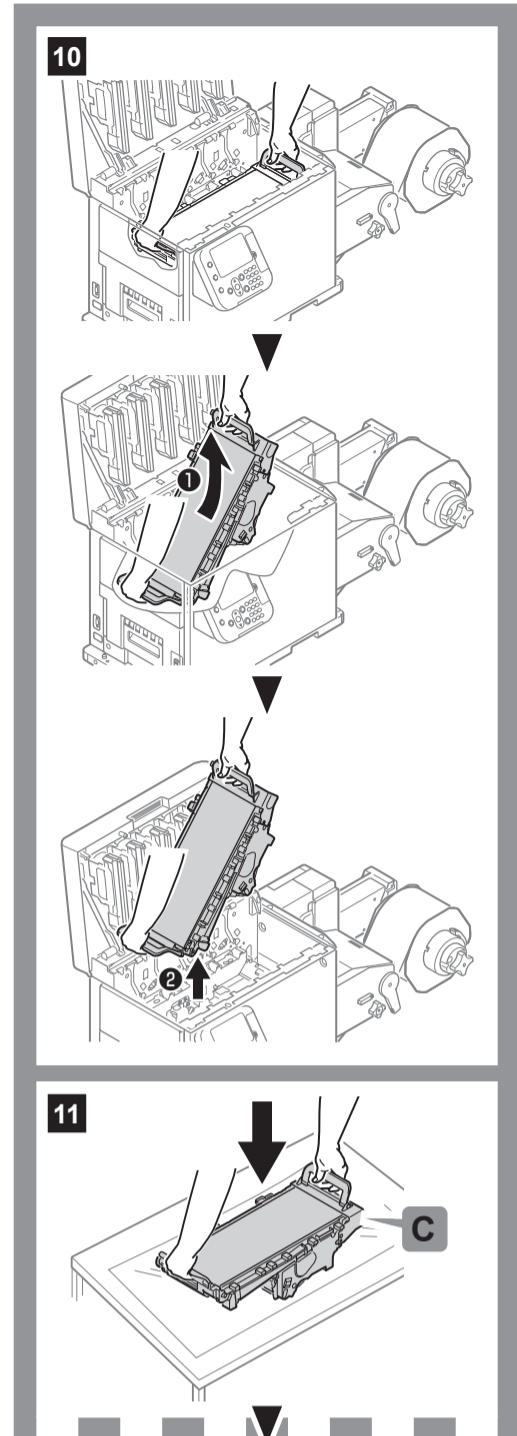
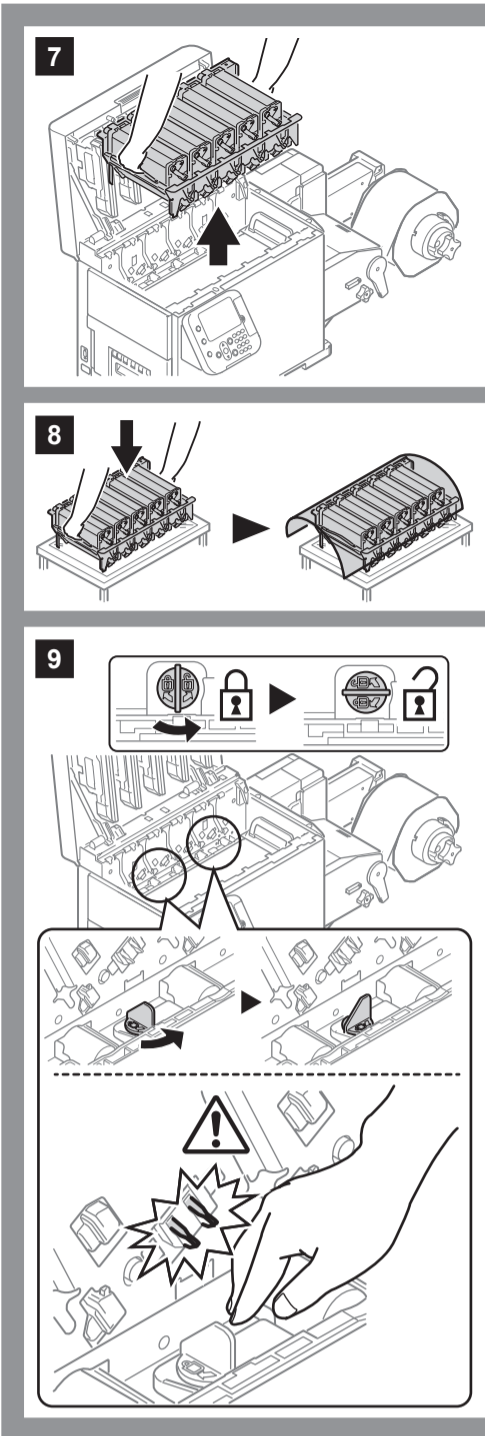
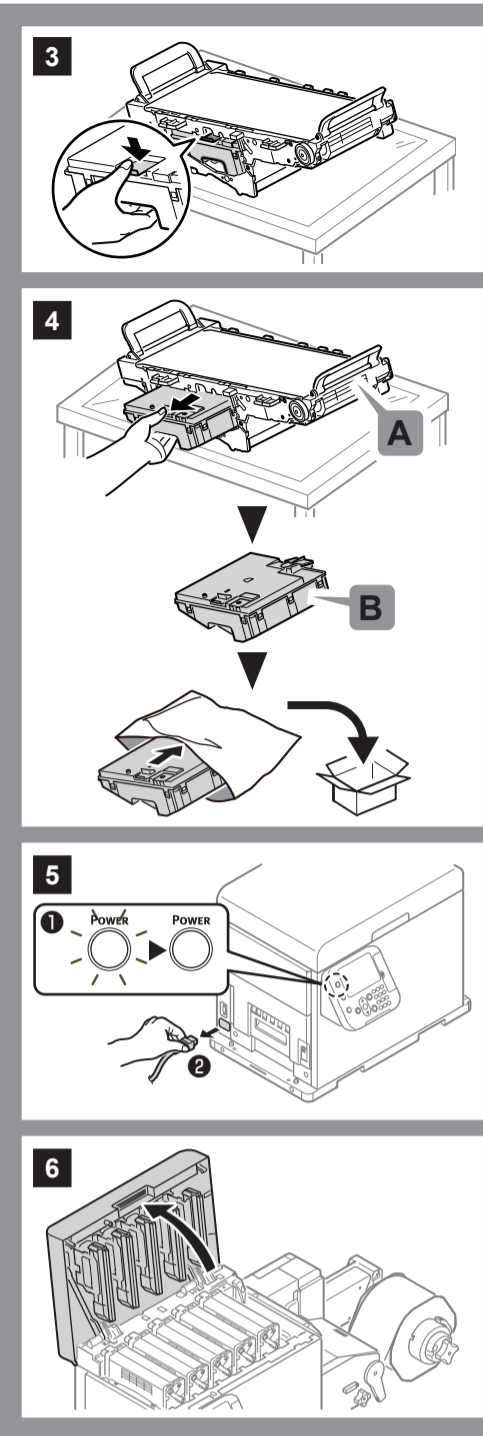
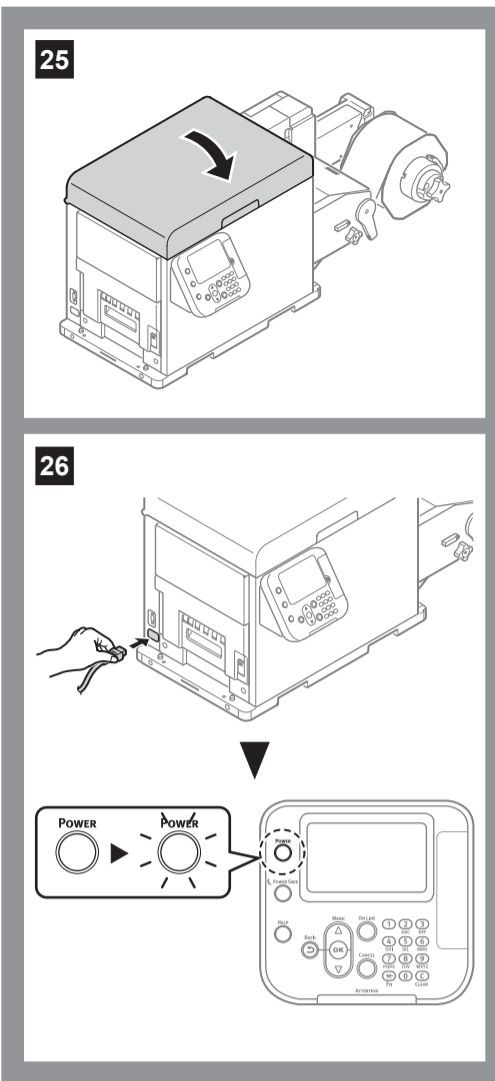
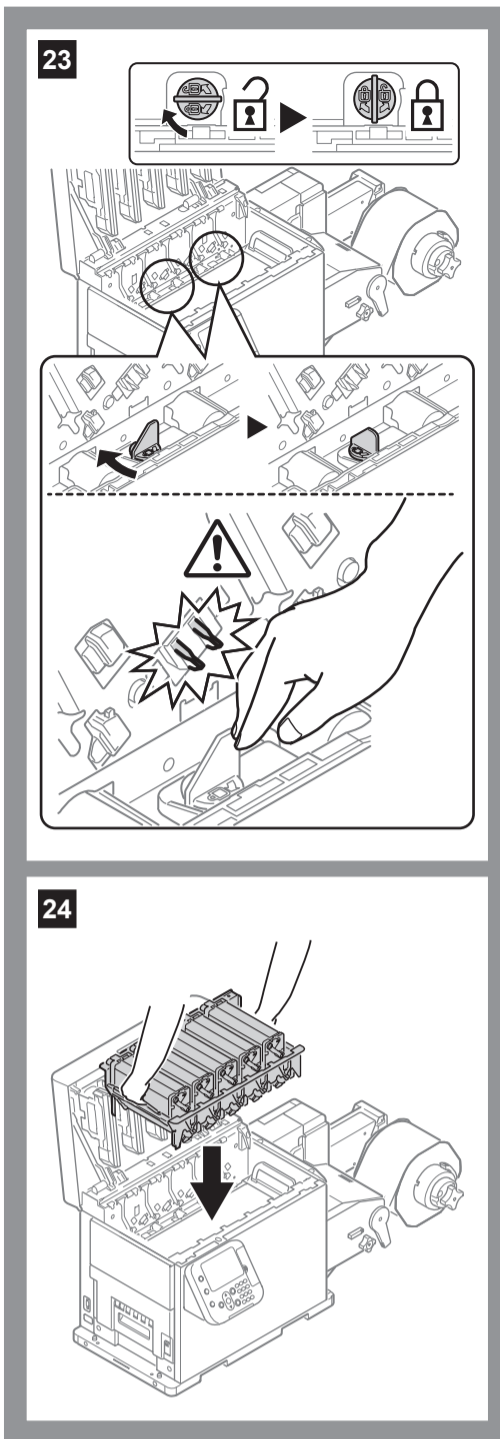
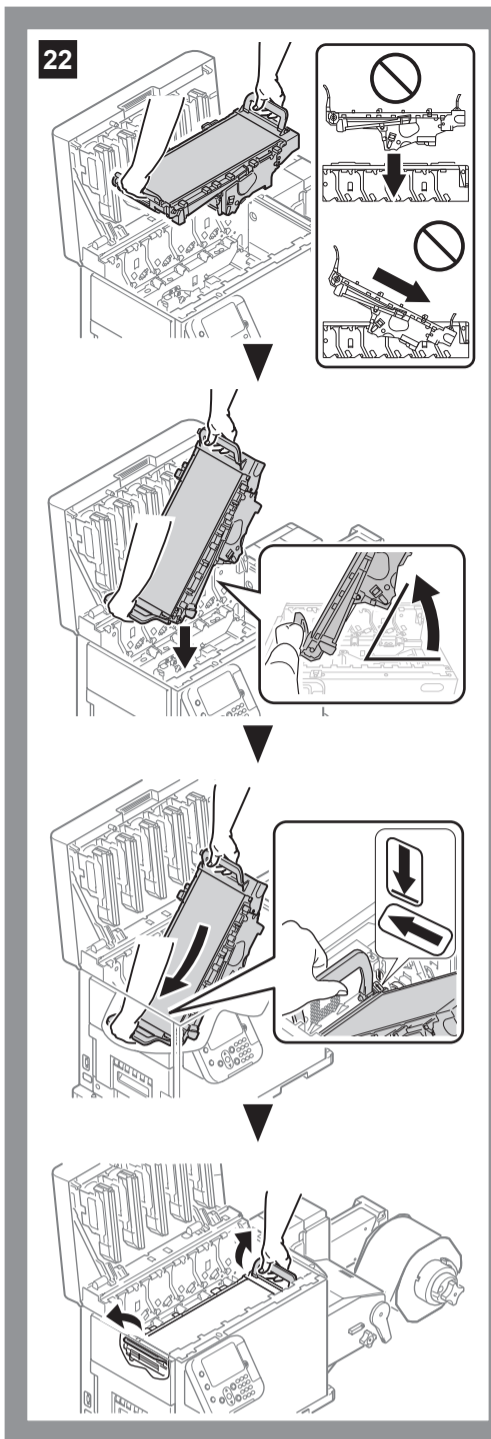


QL-300
Belt Unit/Waste Toner Box/
2nd Transfer Roller



22834706-EN-E





※ In case the display shows installing new waste toner box

